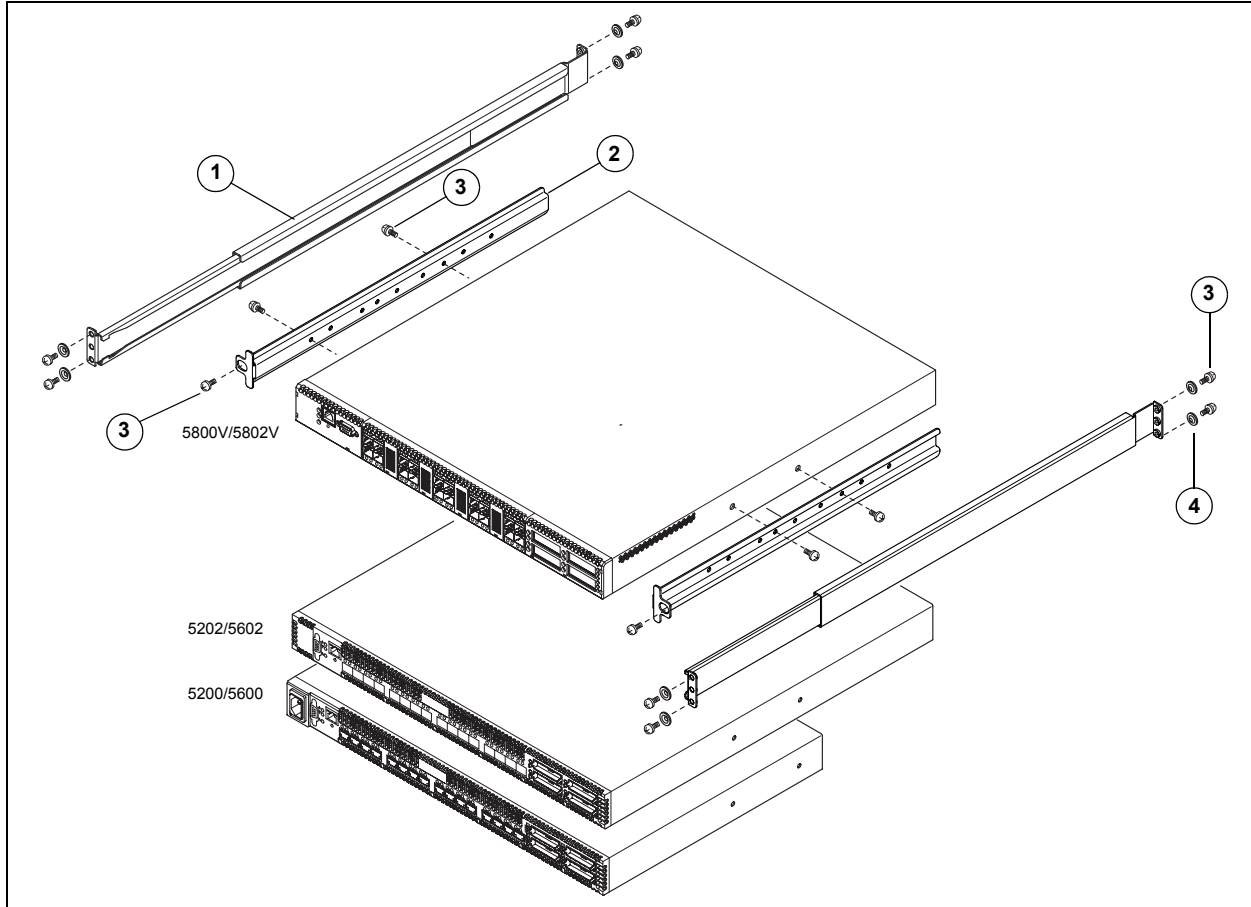
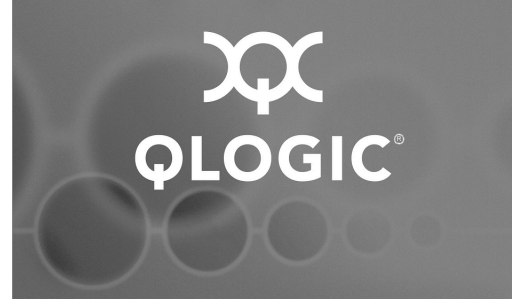


SANbox 5000 Series Fibre Channel Switch Rack Mounting Guide Rail Kit SB-RACKKIT



- | | |
|--------------------|---|
| 1. Rack rail (2) | 3. Screw, w/washer 10-32 x 3/8 in. (14) |
| 2. Switch rail (2) | 4. Washer, centering ^a (8) |

^a For use only on racks with square holes.

Tools Required

- Crosshead screw driver, medium

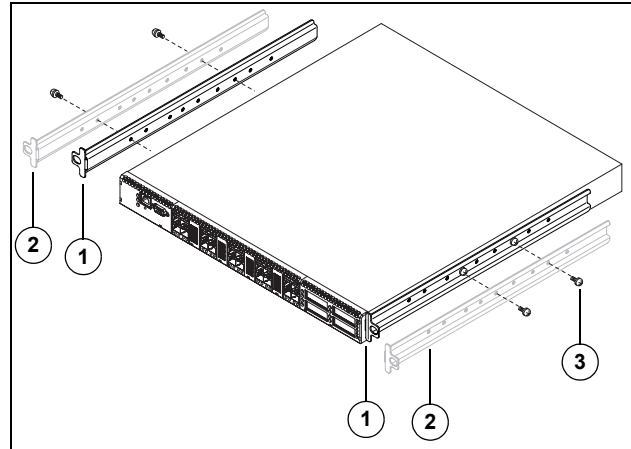
WARNING!!

Heavier products should be placed near the bottom of a rack or cabinet. A top-heavy rack can become unstable resulting in equipment damage or personal injury.



Install Switch Rails

Install the switch rails on the switch using two screws to secure each rail. The switch can be mounted flush or with a 1.25 inch setback depending on how you match the holes.



1. Switch rails, flush mount
2. Switch rails, with setback
3. Screws, 10-32 x 3/8

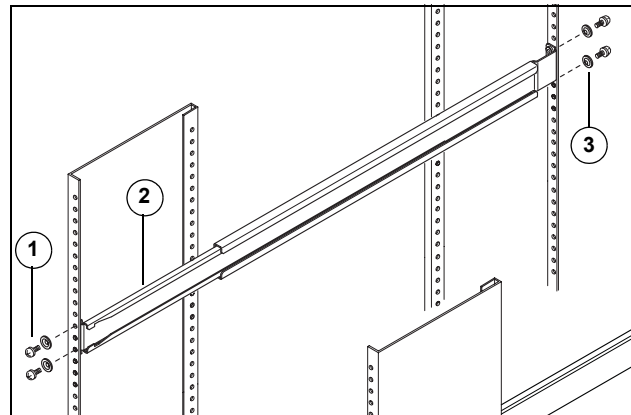
Install Rack Rails

Extend the rack rails to fit the inner dimensions of the rack. The rail flanges on both ends fit inside the rack. Be sure that the inner rail is toward the front.

NOTE:

If the rack holes are square, use a centering washer with each screw.

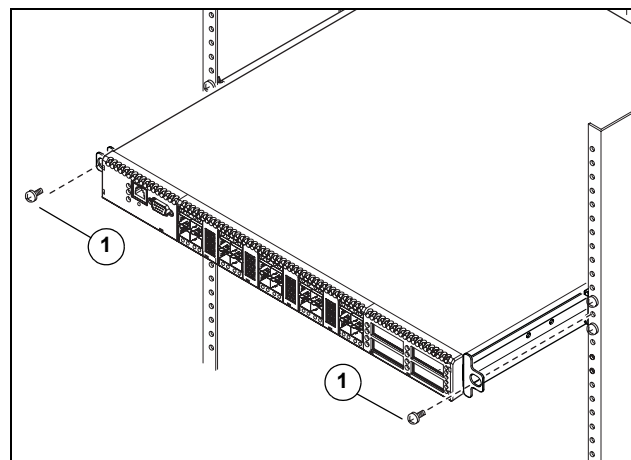
Fasten the rail flanges to the rack at both ends with two screws using the upper and lower holes.



1. Screws
2. Inner rack rail
3. Centering washer

Install the Switch

1. Slide the switch and rail assembly into the rack rails.
2. Fasten the switch to the rack with two screws: one through each switch rail flange.



1. Screws